

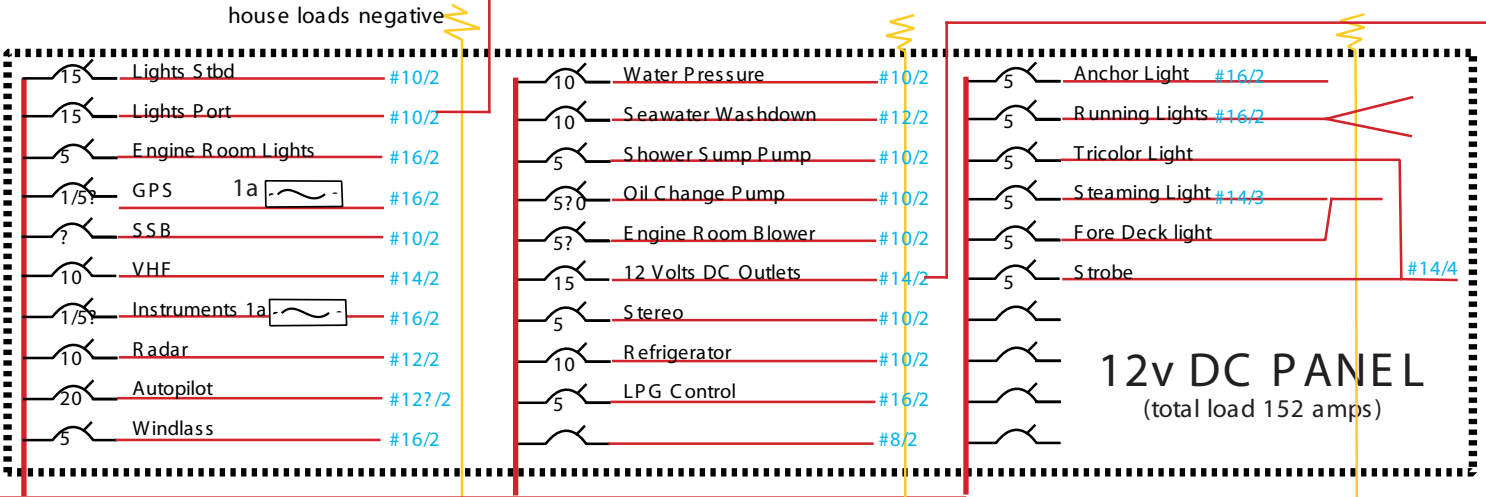
S/N ZORA

Mariner 39 Sloop
Electrical System

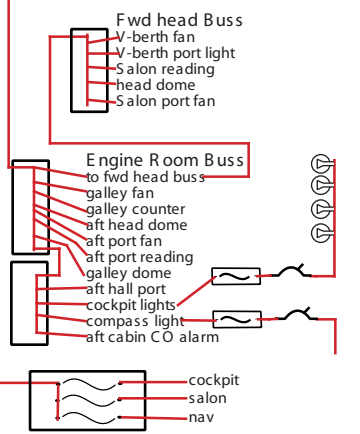
Drawn by: Stacey Collins 1/23/03-7/06

Notes:

- Update with actual wire colors and final wire gauges after installation; also part #s.
- Actual breaker/fuse sizes?
- AC grounded to neg buss or not?
- Need Rule float switch diagram



12v DC PANEL
(total load 152 amps)



solar panels: 2- 55w Siemens

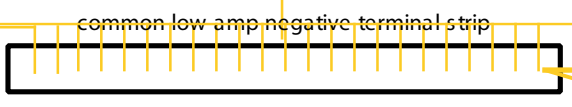
Charge Controller
Flexcharge NC25A/12
located in engine room
Setting for AGM usually around 14.4
Use a multimeter to test & set.

inverter 1000w

High-Amp Bus Bar
w/Blue Seas ANL fuses
150a
100a
350a

DC Main Breaker 150amp

windlass breaker 100amps



link 10 monitor
located at nav station

HOUSE
Blue Seas #9003
rated 300 amps continuous

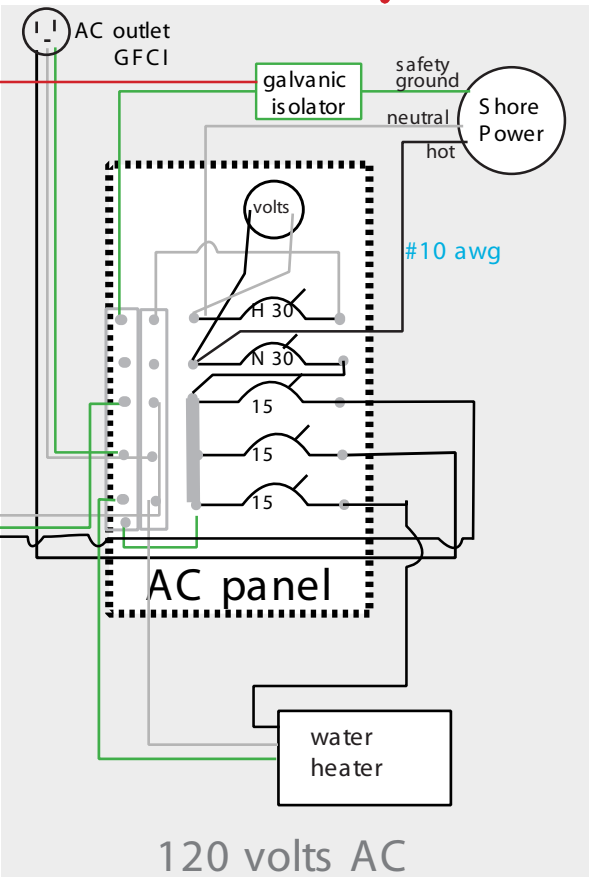
EMERGENCY PARALLEL
Blue Seas #9003
rated 300 amps continuous

STARTER
Blue Seas #9003
rated 300 amps continuous

"Always Hot" Fuse Block
Blue Seas 3AG Fuse Block #5015

negative bus bar

Charger
Protech 1220



Rule S switch #41
Auto/Off/Manual

Rule S switch #49
On/Off

Rule float switch

bilge pump
Rule 2000

bilge pump
Rule 360

CO alarm
salon

fume, fire, bilge alarm

HOUSE
735 amp hours

Blue Seas Power Post

dual Amptech S 125
(2) 125 amp alternators

Smart Regulator
Amole SARV3-12P

starter motor (115a)

CRANKI

windlass

high amp neg. bus bar

solenoid

